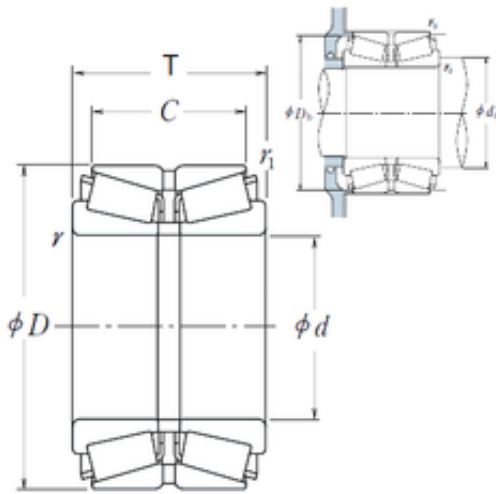




NTN BEARING USA CORP.



260KBE31+L NSK Tapered roller bearing

Bearing No. 260KBE31+L

260KBE31+L Bearing 2D drawings and 3D CAD models

Size	260x440x144 mm
Bore Diameter	260 mm
Outer Diameter	440 mm
Width	144 mm
d	260 mm
D	440 mm
T	144 mm
C	128 mm
r min.	5 mm
r1 min.	1,5 mm
da min.	287 mm
Db min.	416 mm
ra max.	4 mm
rb max.	1,5 mm
Weight	82,5 Kg
Basic dynamic load rating (C)	1540 kN
Basic static load rating (C0)	2760 kN
(Grease) Lubrication Speed	600 r/min
(Oil) Lubrication Speed	800 r/min
Calculation factor (e)	0,39
Calculation factor (Y0)	1,7
Calculation factor (Y2)	2,6