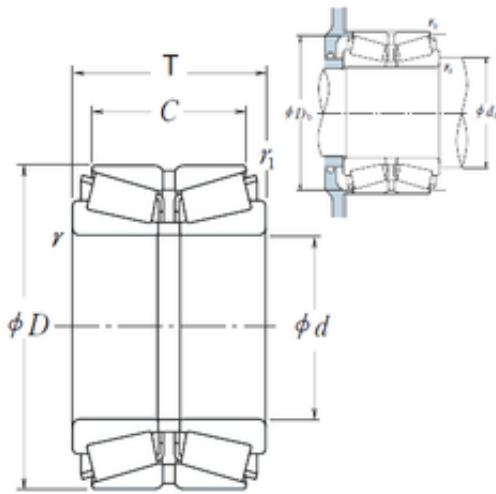




NTN BEARING USA CORP.



260KBE030+L NSK Tapered roller bearing

Bearing No. 260KBE030+L

Size	260x400x130 mm
Bore Diameter	260 mm
Outer Diameter	400 mm
Width	130 mm
d	260 mm
D	400 mm
T	130 mm
C	104 mm
r min.	5 mm
r1 min.	1,5 mm
da min.	287 mm
Db min.	382 mm
ra max.	4 mm
rb max.	1,5 mm
Weight	54,1 Kg
Basic dynamic load rating (C)	1210 kN
Basic static load rating (C0)	2460 kN
(Grease) Lubrication Speed	600 r/min
(Oil) Lubrication Speed	800 r/min
Calculation factor (e)	0,4
Calculation factor (Y0)	1,6
Calculation factor (Y2)	2,5

260KBE030+L Bearing 2D drawings and 3D CAD models