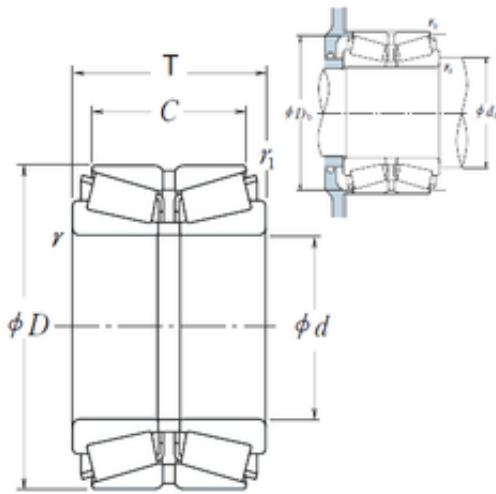




NTN BEARING USA CORP.



240KBE31+L NSK Tapered roller bearing

Bearing No. 240KBE31+L

240KBE31+L Bearing 2D drawings and 3D CAD models

Size	240x400x128 mm
Bore Diameter	240 mm
Outer Diameter	400 mm
Width	128 mm
d	240 mm
D	400 mm
T	128 mm
C	114 mm
r min.	5 mm
r1 min.	1,5 mm
da min.	267 mm
Db min.	380 mm
ra max.	4 mm
rb max.	1,5 mm
Weight	60 Kg
Basic dynamic load rating (C)	1180 kN
Basic static load rating (C0)	2190 kN
(Grease) Lubrication Speed	600 r/min
(Oil) Lubrication Speed	900 r/min
Calculation factor (e)	0,43
Calculation factor (Y0)	1,5
Calculation factor (Y2)	2,3